



OSBORN SHARP ASSOCIATES
 Architecture Planning Energy Management
 2477 Shiloh Road - Suite 114 - Sarasota, Florida 34231
 TEL 941 922 5666 FAX 941 924 9820
 © Copyright 2007

NEW MASJID SARASOTA, FL
 4350 LOCKWOOD RIDGE ROAD
 L.S.B.

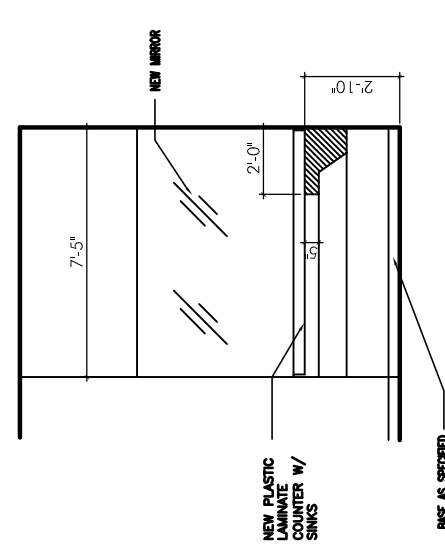
W. T. OSBORN
 AR-0006998

INTERIOR RESTROOM ELEVATIONS

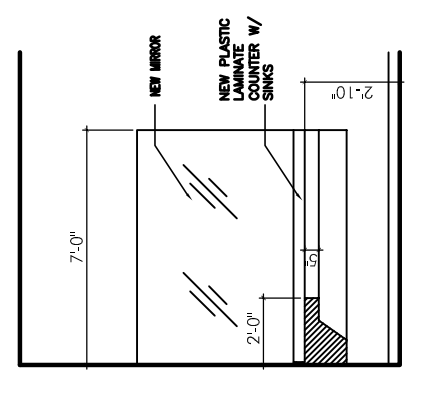
Job No.: 05108
 Date: 12 JUN 07
 Sheet No.:

A2.5

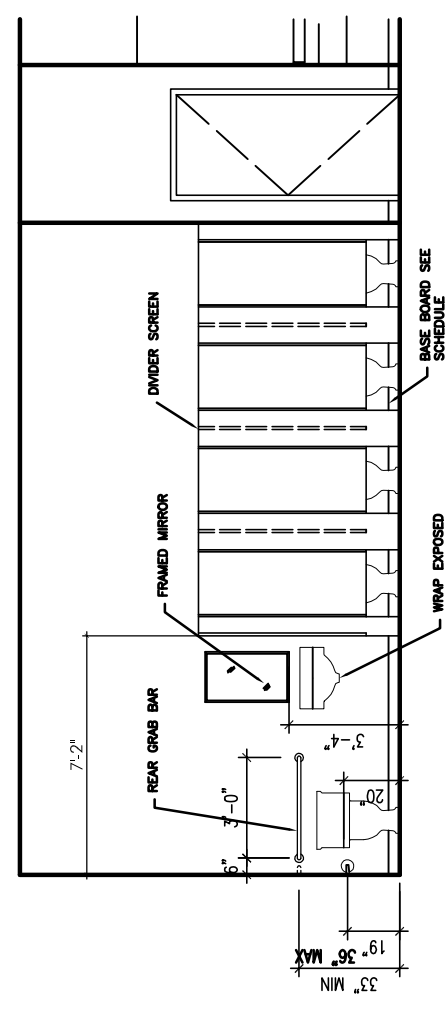
CAD FILE NAME:	TIS
DRAWN BY:	TIS
CHECKED BY:	TIS
REVISIONS:	
Approved by:	
Date:	7-18-07
PLAN MODIFICATIONS:	B-27-07



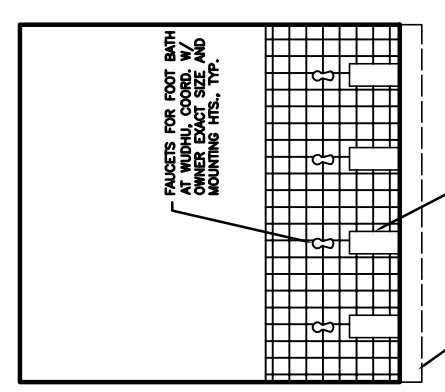
1
 WOMEN'S RESTROOM
 3/8"=1'-0"



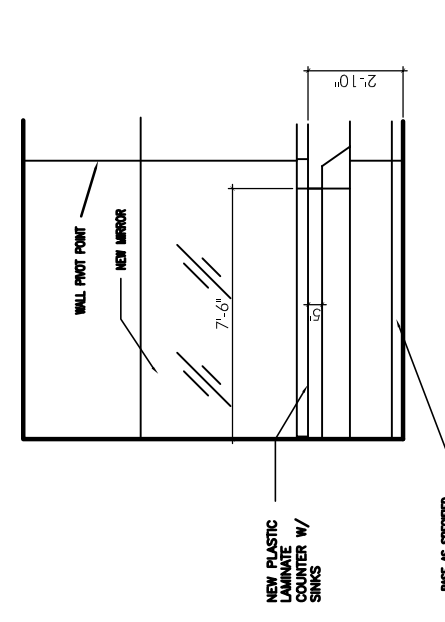
2
 WOMEN'S RESTROOM
 3/8"=1'-0"



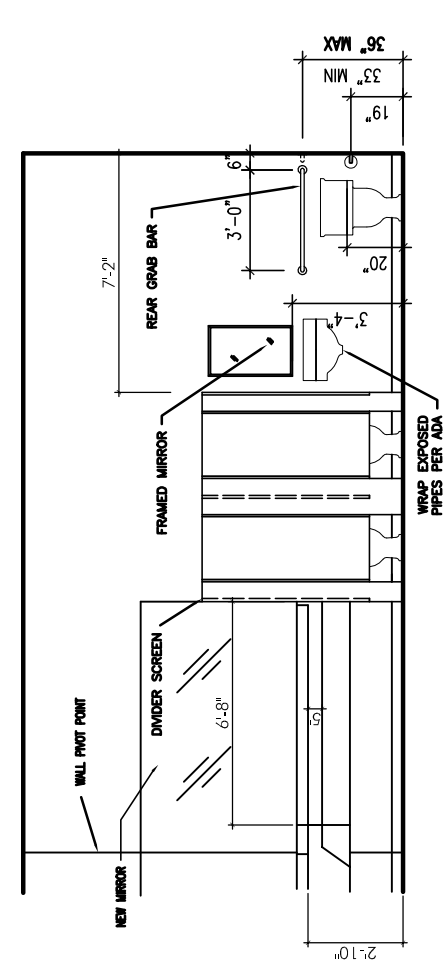
3
 WOMEN'S RESTROOM
 3/8"=1'-0"



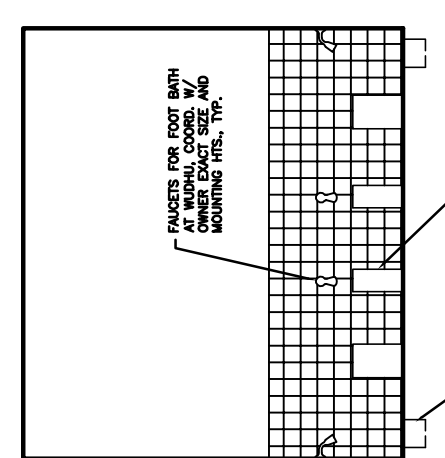
4
 WOMEN'S RESTROOM WUDHU
 3/8"=1'-0"



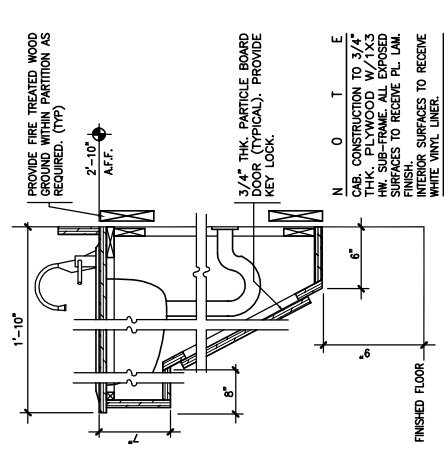
5
 MEN'S RESTROOM
 3/8"=1'-0"



6
 MEN'S RESTROOM
 3/8"=1'-0"



7
 MEN'S RESTROOM WUDHU
 3/8"=1'-0"



8
 Typical Vanity Section
 1 1/2" = 1'-0"

GENERAL CASEWORK NOTES:
 1. VERIFY ALL CASEWORK DIMENSIONS IN FIELD PRIOR TO MANUFACTURE OF CASEWORK.
 2. WALL CABINET DEPTH TO BE 12" UNLESS OTHERWISE NOTED. BASE CROWN DEPTH TO BE 24" UNLESS OTHERWISE NOTED.
 3. WHERE CASEWORK ABUTS A WALL, PARTITION, WINDOW, ETC., WALL SHALL EXTEND BEYOND FORWARD-JOIST CENTERLINE SIZE OF CASEWORK, LEAST 1" CLEAR. CONFIRM SIZE OF CASEWORK WITH ARCHITECT PRIOR TO MANUFACTURE OF CASEWORK.
 4. WHERE COUNTER TOP ABUTS A WALL, WINDOW, ETC., A 1" BROWSPASH SHALL RETURN ALONG SIDE AS WELL AS A 1" BROWSPASH SHALL RETURN AT THE 4" BASE AS SCHEDULED FOR THAT ROOM.